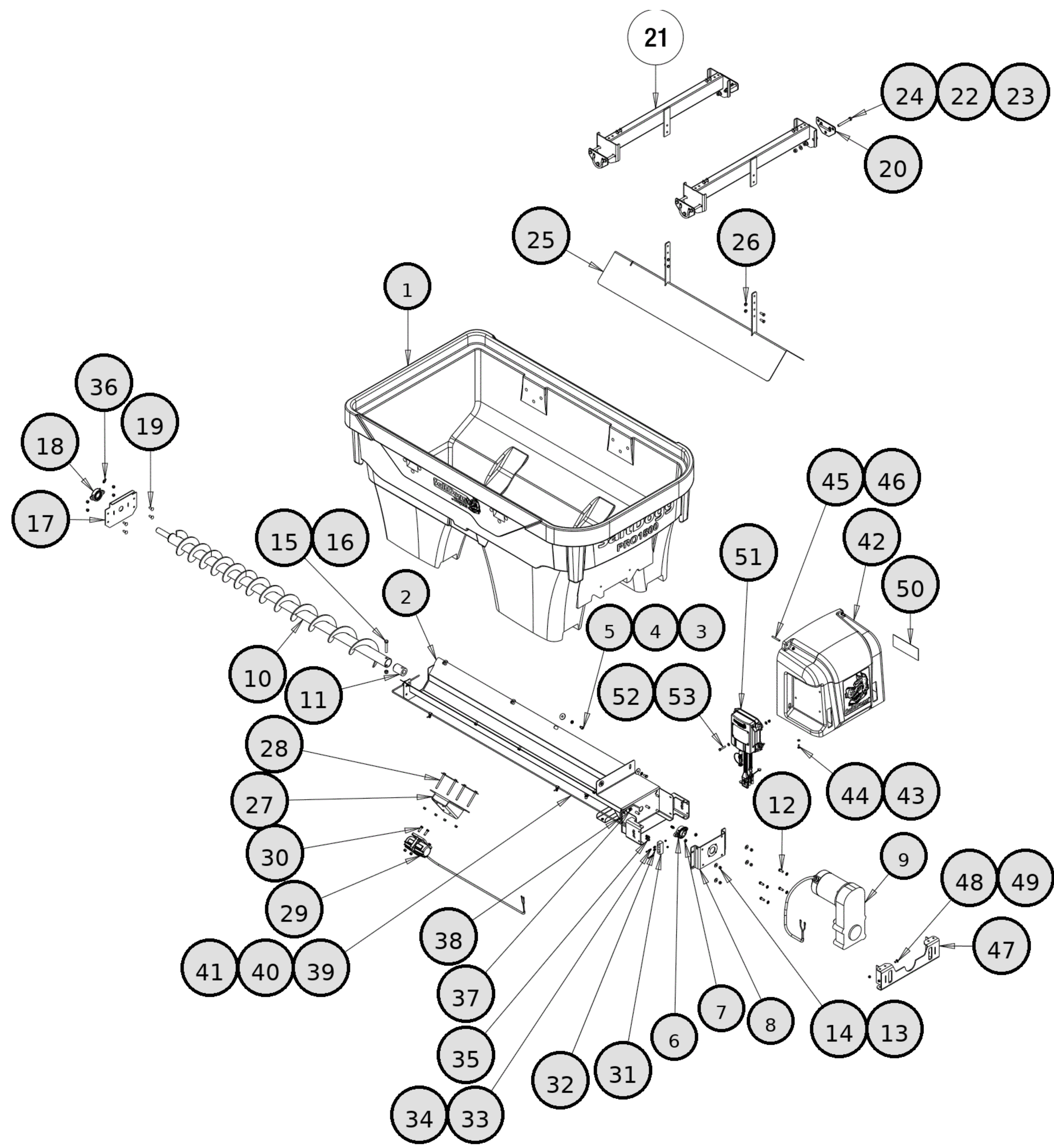




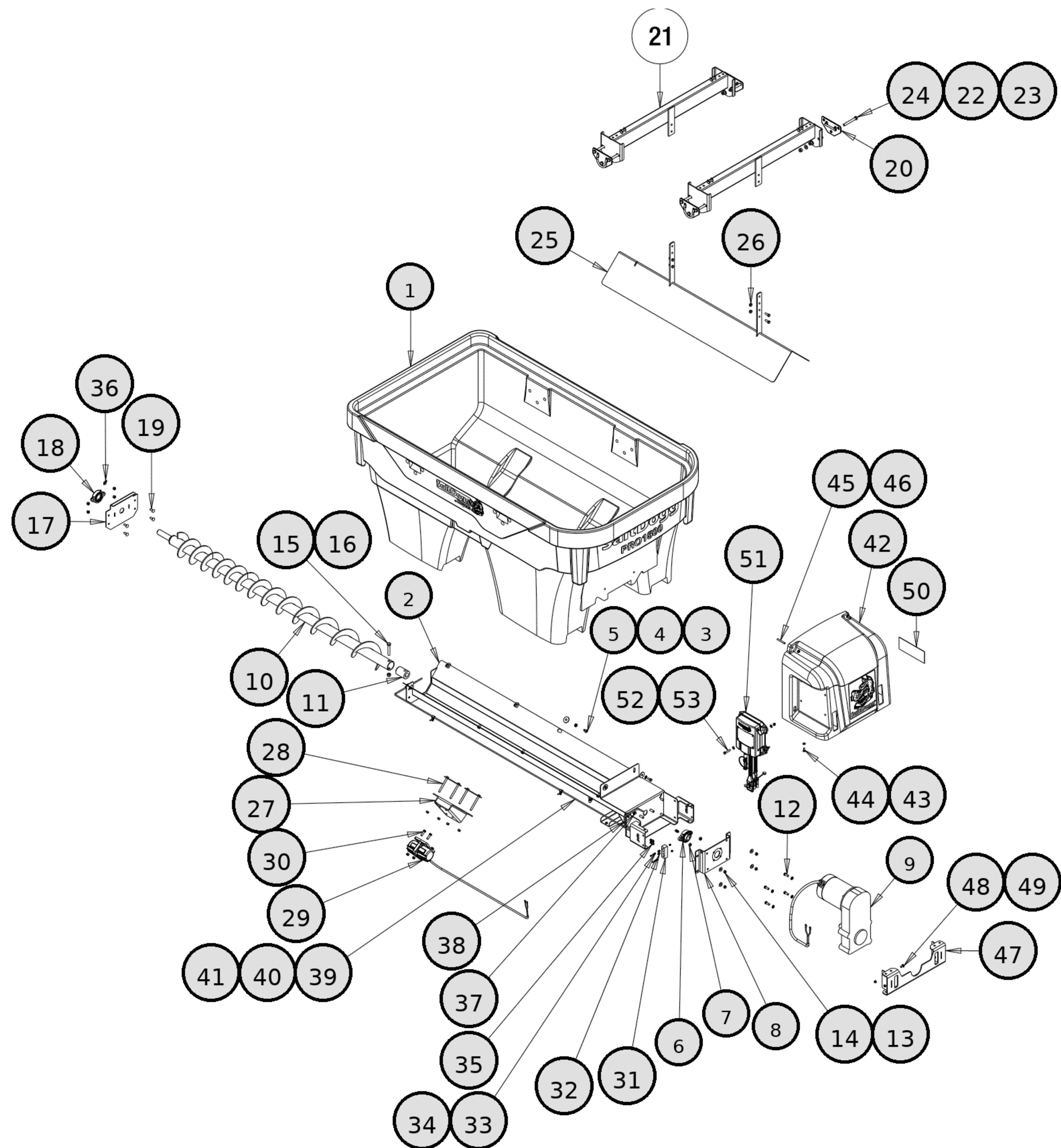
PRO POLY SPREADERS - MULTIPLEX

FIGURE LIST

Page	Description
1	PRO1500M HOPPER ASSEMBLY
3	PRO1500MCH HOPPER ASSEMBLY
5	PRO2000M HOPPER ASSEMBLY
7	PRO2000MCH HOPPER ASSEMBLY
9	PRO2000MCH PRO2000M PRO1500MCH PRO1500M MAIN ASSEMBLY
10	PRO2500M HOPPER ASSEMBLY
12	PRO2500MCH HOPPER ASSEMBLY
14	PRO2500MCH PRO2500M MAIN ASSEMBLY
15	PRO2500MCH PRO2500M PRO2000MCH PRO2000M PRO1500MCH PRO1500M CHUTE ASSEMBLY
16	PRO2500MCH PRO2500M PRO2000MCH PRO2000M PRO1500MCH PRO1500M HARNESS BRACKET
17	PRO2500MCH PRO2500M PRO2000MCH PRO2000M PRO1500MCH PRO1500M MULTIPLEX HARNESS



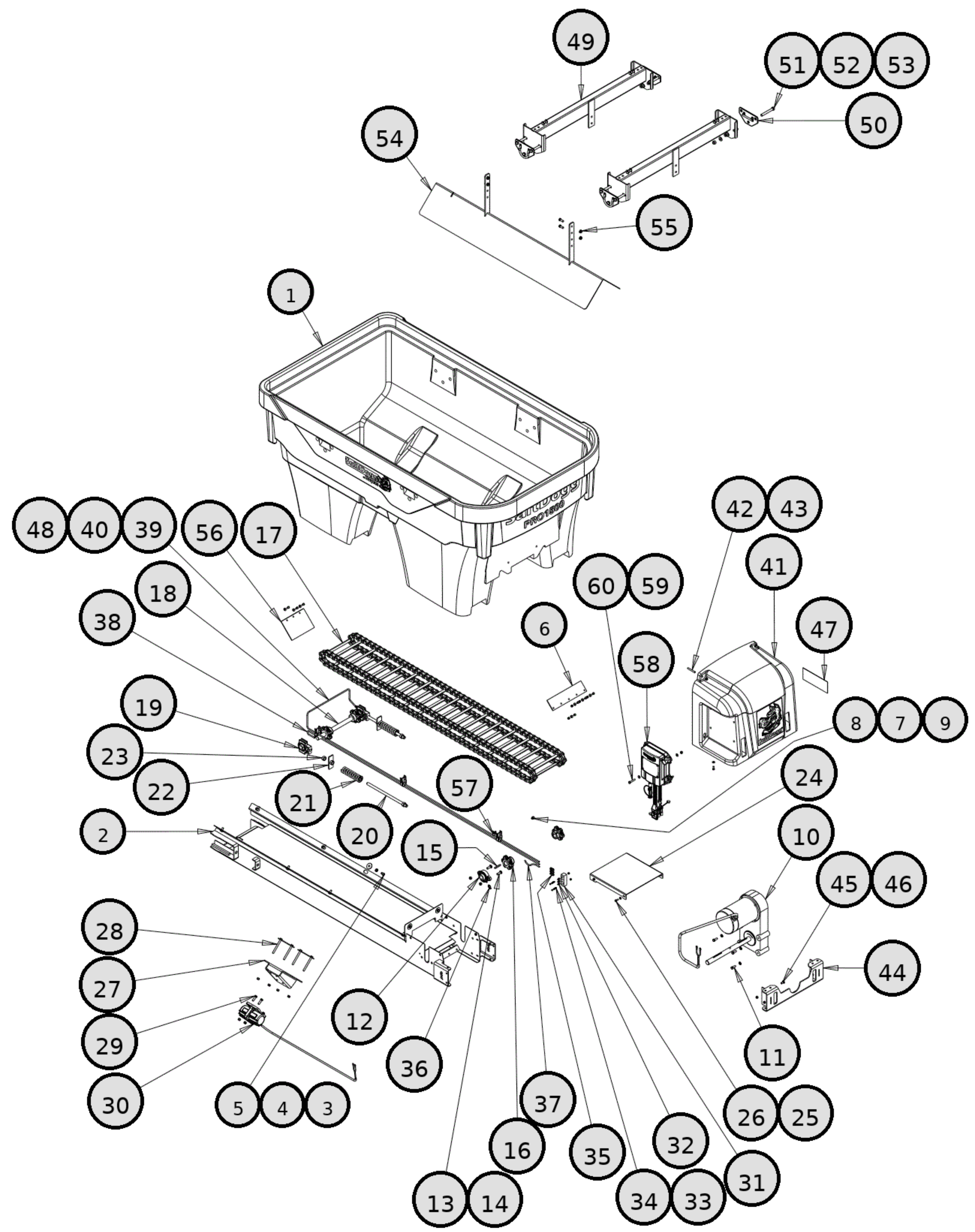
REF	PN	DESCRIPTION
1	3040940	HOPPER POLY PRO1500
2	3035261	TROUGH WELDMENT PRO2000
3	3007115	WASHER, FLAT 3/8 X 1.5 X.048 SST
4	FWL038069009SS	WASHER, LOCK RHS-3/8 SST
5	FCS038016075SS	SCREW, HHC-3/8-16 X 3/4 SST
6	1410200	BEARING, FLANGED 1-1/8"
7	3014756	NUT, NYLOCK, 7/16-14, SST WAX
8	3033003	SPACER, GEAR MOTOR
9	3062248	GEAR MOTOR .75HP 12 VDC RING TERMINALS
10	3035264	AUGER PRO2000 5.75 VARIABLE LH
11	3033663	SLEEVE, AUGER ADAPTER
12	FCS038016100SS	SCREW, HHC 3/8-16 X 1 304 SST
13	FWF038100007SS	WASHER, FLAT 3/8 USS SST
14	FNE038016044SS	NUT, NYLOCK, 3/8-16, SST WAX
15	3001250	SCREW, HHC-1/2-13 X 3 SST
16	FNE050013053SSC	NUT, NYLOCK 1/2-13, SST WAX
17	3033070	BRACKET BEARING FRONT
18	9240086	BEARING, 1-1/4 FLANGE 2 HOLE
19	FCB037516100SS	BOLT, 3/8-16 X 1 CARRIAGE SST
20	3022220	TIE-DOWN WELDMENT
21	3041029	CROSS MEMBER
22	FWF050106010	WASHER, FLAT, 1/2 X 1.062 X .095, ZN
23	FNE050013053	NUT, NYLOCK, 1/2-13, GR A, ZN
24	FCS050013400Z	SCREW, HEX HEAD CAP 1/2-13 X 4.00 GR 5 ZN
25	3041208	INVERTED VEE, PRO1500
26	3001255	NUT, SERRATED FLANGE, 3/8-16, SST WAX
27	3039179	BRACKET, VIBRATOR
28	3056422	BRACKET VIBRATOR, PRO SST
29	3062249	VIBRATOR 200 LBS 12 VDC RING TERMINALS
30	FCS038016125SS	SCREW, HHC-3/8-16 X 1.25 SST
31	3035346	RIGHT ANGLE JUNCTION BLOCK
32	800	GREASE FITTING, 1/8IN NPT, STRAIGHT
33	3035357	SCREW SOCKET HD, RND 8-32X 1.50 SST
34	3035358	NUT, NYLOCK, #8-32, SST WAX
35	3035347	GREASE FITTING 1/4TUBE 1/8 MNPT STR
36	3035344	GREASE FITTING 1/4TUBE 1/4-28 MALE STR
37	3035742	BUSHING SNAP THICK PANEL
38	3035359	GREASE TUBE REAR BEARING AUGER
39	3035360	GREASE TUBE FRONT BEARING AUGER
40	4375	CLAMP, HOSE .4375, 9/32 HOLE
41	3007522	SCREW, SHEET MTL #12X1.0 HEX WASHER HD SST
42	3062247	SHROUD PRO, MULTIPLEX
43	FWF025063007SS	WASHER, FLAT 1/4 SAE SS
44	FCS025020075SS	SCREW, CAP 1/4-20 X 3/4 SST
45	3033165	STUD THREADED 5/16-18 X 2.5 SST
46	3006719	NUT, SERRATED FLANGE, 5/16-18, SST WAX
47	3033076	CHUTE ATTACHMENT
48	3012144	BOLT,CARRIAGE, 5/16-18 X 3/4 RD HD SST
49	FNE031018034SS	NUT, NYLOCK, 5/16-18, SST WAX



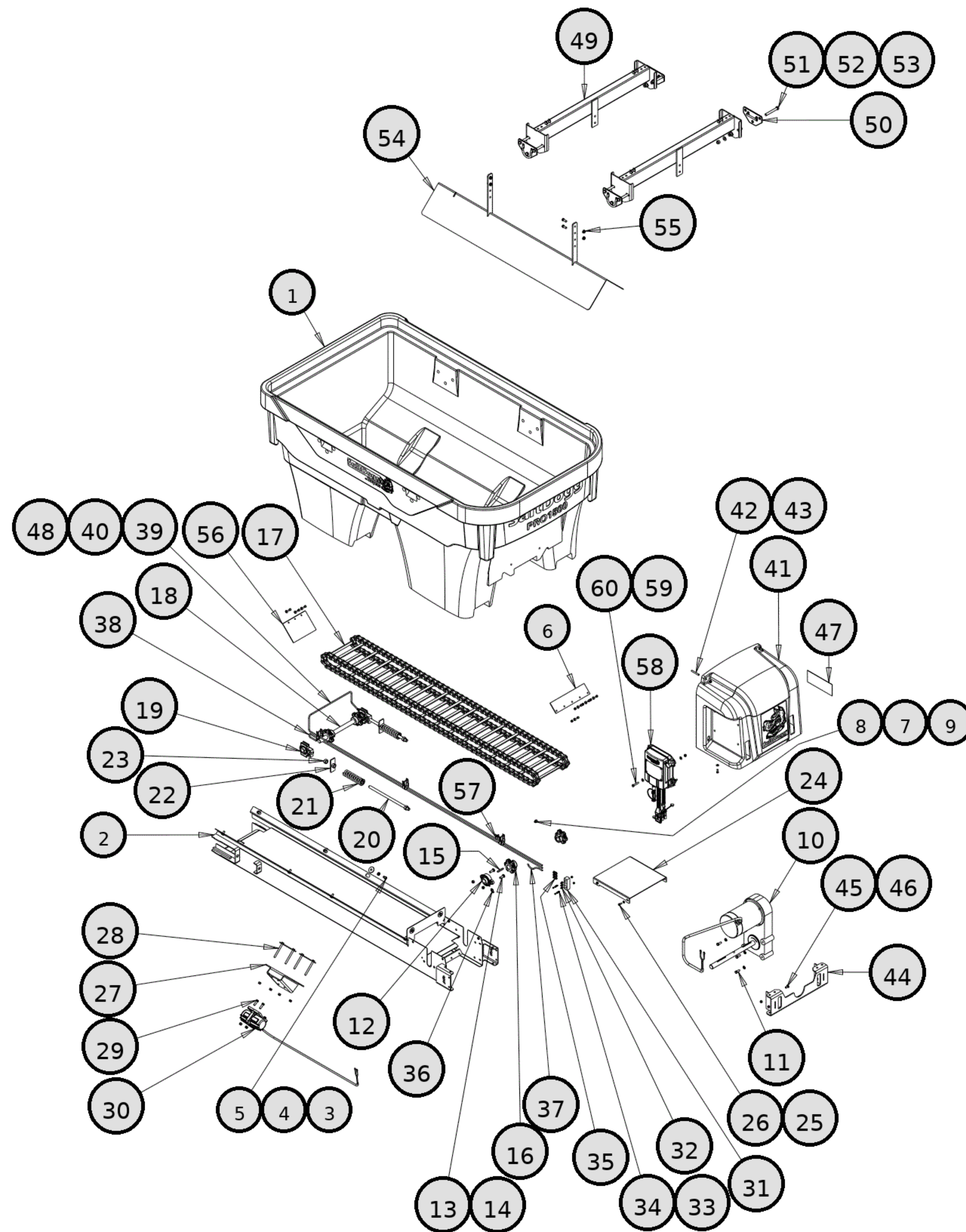
REF	PN	DESCRIPTION
50	3032591	DECAL, DANGER, MOVING CONVEYOR/ AUGER
51	3057506	CONTROLLER MULTIPLEX POWER MODULE
52	FWF031075006SS	WASHER, FLAT, 5/16 X .688 X .065, SST
53	FCS031018175SS	SCREW, HHC 5/16-18 X 1 3/4 SS

HOPPER ASSEMBLY

PRO1500M



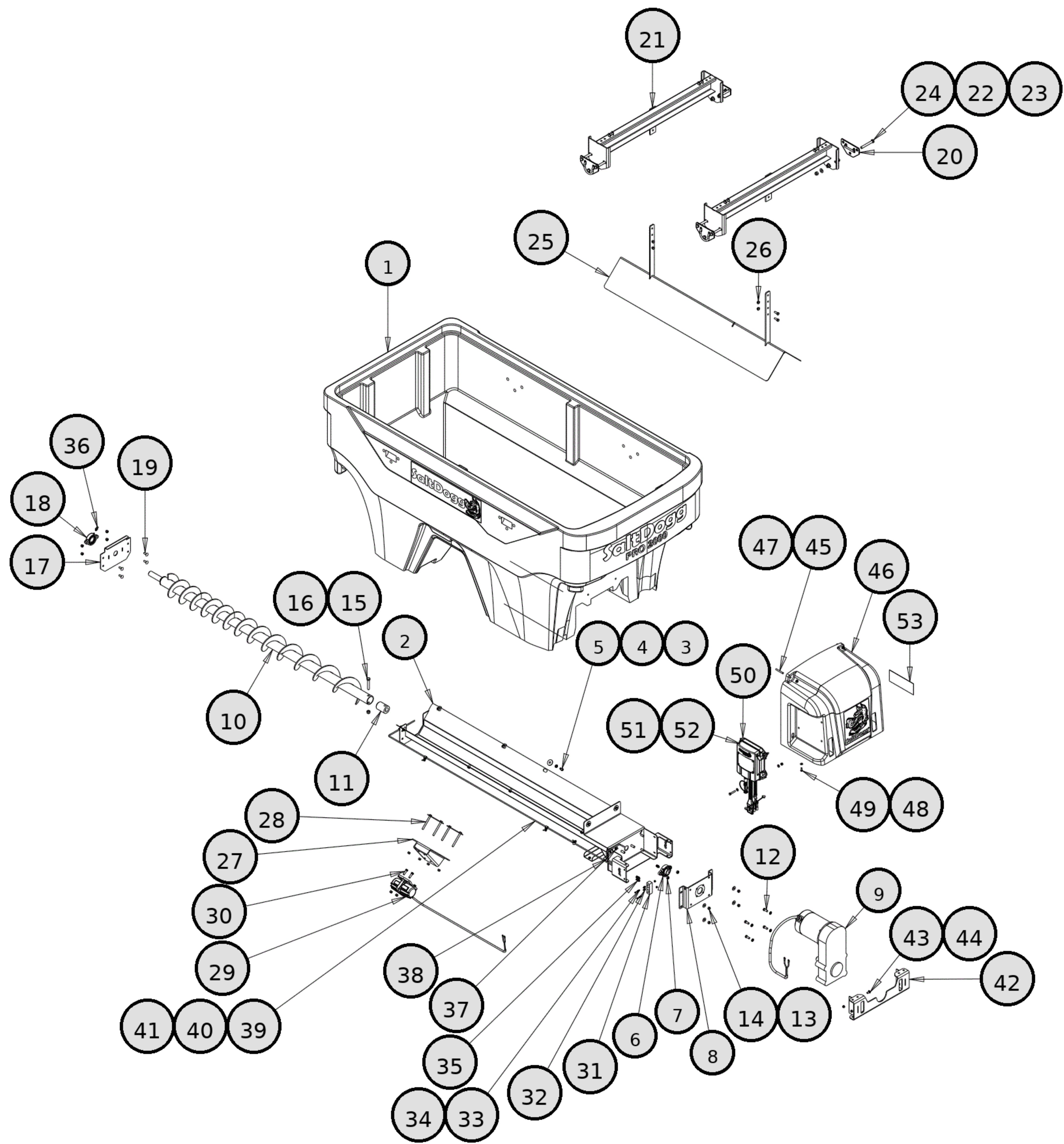
REF	PN	DESCRIPTION
1	3040940	HOPPER POLY PRO1500
2	3034593	TROUGH WELDMENT CHAIN PRO2000
3	3007115	WASHER, FLAT 3/8 X 1.5 X.048 SST
4	FWL038069009SS	WASHER, LOCK RHS-3/8 SST
5	FCS038016075SS	SCREW, HHC-3/8-16 X 3/4 SST
6	1410241	WIPER BELT, HOPPER
7	FWF025063007SS	WASHER, FLAT 1/4 SAE SS
8	3008549	SCREW,HEXHD CAP 1/4-20X.5 SST
9	FNE025020031SS	NUT, NYLOCK, 1/4-20, SST WAX
10	3062245	GEAR MOTOR, CHAIN,12VDC, RING TERMINALS
11	FCS038016100SS	SCREW, HHC 3/8-16 X 1 304 SST
12	1410200	BEARING, FLANGED 1-1/8"
13	3031483	BOLT, 3/8-16 X 1 CARRIAGE SHORT NECK SST
14	FNE038016044SS	NUT, NYLOCK, 3/8-16, SST WAX
15	KS402	KEY, 1/4 X 1/4 X 2
16	1410250	SPROCKET, 6 TOOTH PINTLE CHAIN
17	1401300	CHAIN, CONVEYOR. D662 93 LINKS
18	3008571	SHAFT IDLER, ASSEMBLY
19	1411001	BEARING, IDLER TAKE UP
20	3023046	BOLT, WELDED TAKE UP
21	3023022	SPRING CHAIN TENSION
22	3031199	TAKE-UP NUT WELDMENT
23	FNH063011054SS	NUT, TOP LOCK, 5/8-11, SST WAX
24	3031195	CHAIN COVER
25	FWL025050006SS	WASHER, 1/4 IN. SPRING LOCK SST
26	FCS025020075SS	SCREW, CAP 1/4-20 X 3/4 SST
27	3039179	BRACKET, VIBRATOR
28	3056422	BRACKET VIBRATOR, PRO SST
29	FCS038016125SS	SCREW, HHC-3/8-16 X 1.25 SST
30	3062249	VIBRATOR 200 LBS 12 VDC RING TERMINALS
31	3035346	RIGHT ANGLE JUNCTION BLOCK
32	800	GREASE FITTING, 1/8IN NPT, STRAIGHT
33	3035358	NUT, NYLOCK, #8-32, SST WAX
34	3035357	SCREW SOCKET HD, RND 8-32X 1.50 SST
35	3035347	GREASE FITTING 1/4TUBE 1/8 MNPT STR
36	3035344	GREASE FITTING 1/4TUBE 1/4-28 MALE STR
37	3035348	GREASE HOSE REAR BEARING
38	3035355	GREASE HOSE FRONT DR SIDE
39	3035356	GREASE HOSE FRONT PS SIDE
40	5000	CLAMP,HOSE .500, 13/32 HOLE
41	3062247	SHROUD PRO, MULTIPLEX
42	3033165	STUD THREADED 5/16-18 X 2.5 SST
43	3006719	NUT, SERRATED FLANGE, 5/16-18, SST WAX
44	3033076	CHUTE ATTACHMENT
45	3012144	BOLT,CARRIAGE, 5/16-18 X 3/4 RD HD SST
46	FNE031018034SS	NUT, NYLOCK, 5/16-18, SST WAX
47	3032591	DECAL, DANGER, MOVING CONVEYOR/ AUGER
48	3007522	SCREW, SHEET MTL #12X1.0 HEX WASHER HD SST
49	3041029	CROSS MEMBER



REF	PN	DESCRIPTION
50	3022220	TIE-DOWN WELDMENT
51	FCS050013400Z	SCREW, HEX HEAD CAP 1/2-13 X 4.00 GR 5 ZN
52	FWF050106010	WASHER, FLAT, 1/2 X 1.062 X .095, ZN
53	FNE050013053	NUT, NYLOCK, 1/2-13, GR A, ZN
54	3041208	INVERTED VEE, PRO1500
55	3001255	NUT, SERRATED FLANGE, 3/8-16, SST WAX
56	3043864	WIPER BELT, FRONT
57	4375	CLAMP, HOSE .4375, 9/32 HOLE
58	3057506	CONTROLLER MULTIPLEX POWER MODULE
59	FWF031075006SS	WASHER, FLAT, 5/16 X .688 X .065, SST
60	FCS031018175SS	SCREW, HHC 5/16-18 X 1 3/4 SS

HOPPER ASSEMBLY

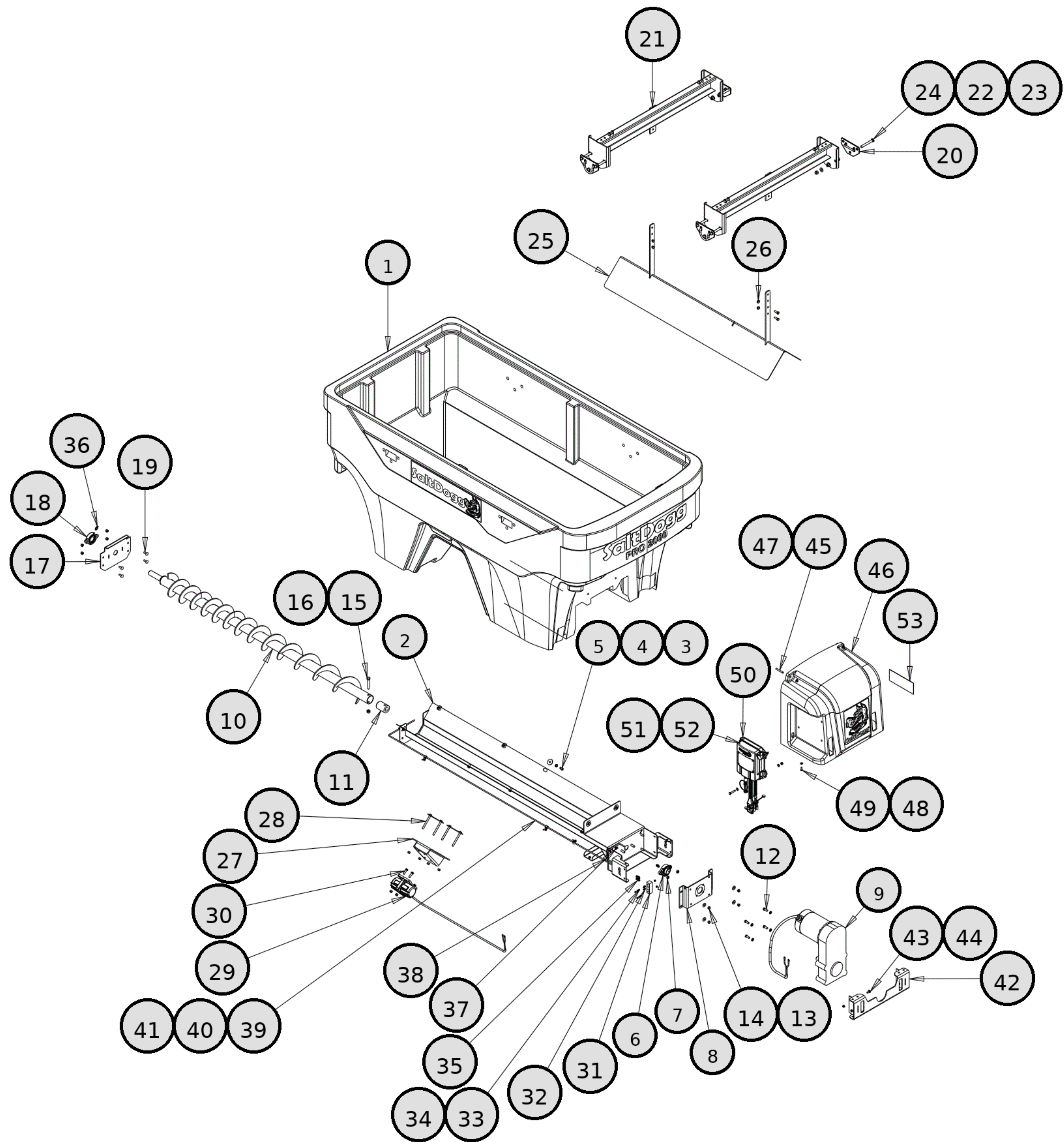
PRO1500MCH



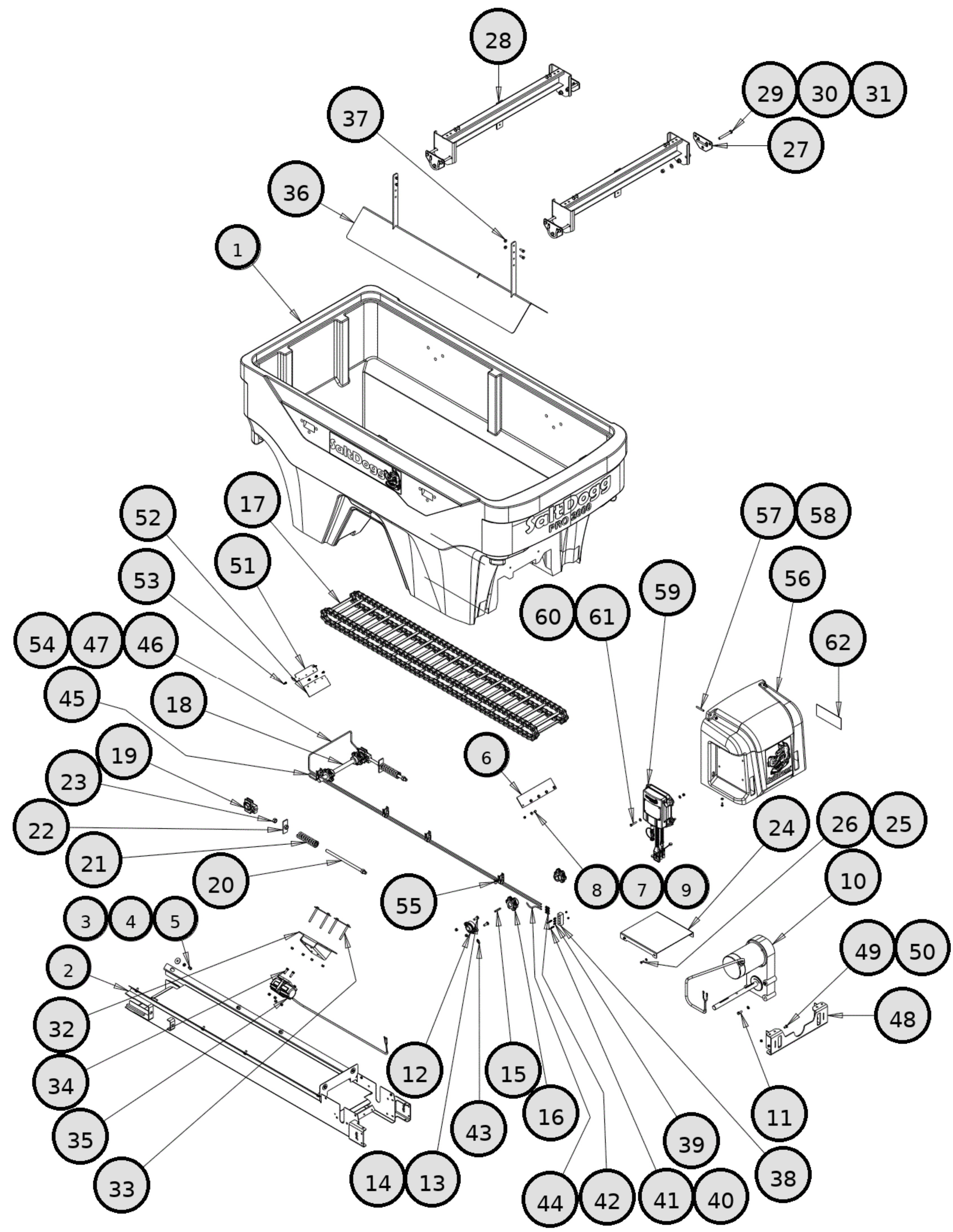
REF	PN	DESCRIPTION
1	3034401	HOPPER PRO2000
2	3035261	TROUGH WELDMENT PRO2000
3	3007115	WASHER, FLAT 3/8 X 1.5 X .048 SST
4	FWL038069009SS	WASHER, LOCK RHS-3/8 SST
5	FCS038016075SS	SCREW, HHC-3/8-16 X 3/4 SST
6	1410200	BEARING, FLANGED 1-1/8"
7	3014756	NUT, NYLOCK, 7/16-14, SST WAX
8	3033003	SPACER, GEAR MOTOR
9	3062248	GEAR MOTOR .75HP 12 VDC RING TERMINALS
10	3035264	AUGER PRO2000 5.75 VARIABLE LH
11	3033663	SLEEVE, AUGER ADAPTER
12	FCS038016100SS	SCREW, HHC 3/8-16 X 1 304 SST
13	FWF038100007SS	WASHER, FLAT 3/8 USS SST
14	FNE038016044SS	NUT, NYLOCK, 3/8-16, SST WAX
15	3001250	SCREW, HHC-1/2-13 X 3 SST
16	FNE050013053SSC	NUT, NYLOCK 1/2-13, SST WAX
17	3033070	BRACKET BEARING FRONT
18	9240086	BEARING, 1-1/4 FLANGE 2 HOLE
19	FCB037516100SS	BOLT, 3/8-16 X 1 CARRIAGE SST
20	3022220	TIE-DOWN WELDMENT
21	3035740	CROSS MEMBER
22	FWF050106010	WASHER, FLAT, 1/2 X 1.062 X .095, ZN
23	FNE050013053	NUT, NYLOCK, 1/2-13, GR A, ZN
24	FCS050013400Z	SCREW, HEX HEAD CAP 1/2-13 X 4.00 GR 5 ZN
25	3035267	INVERTED VEE, PRO2000
26	3001255	NUT, SERRATED FLANGE, 3/8-16, SST WAX
27	3039179	BRACKET, VIBRATOR
28	3056422	BRACKET VIBRATOR, PRO SST
29	3062249	VIBRATOR 200 LBS 12 VDC RING TERMINALS
30	FCS038016125SS	SCREW, HHC-3/8-16 X 1.25 SST
31	3035346	RIGHT ANGLE JUNCTION BLOCK
32	800	GREASE FITTING, 1/8IN NPT, STRAIGHT
33	3035357	SCREW SOCKET HD, RND 8-32X 1.50 SST
34	3035358	NUT, NYLOCK, #8-32, SST WAX
35	3035347	GREASE FITTING 1/4TUBE 1/8 MNPT STR
36	3035344	GREASE FITTING 1/4TUBE 1/4-28 MALE STR
37	3035742	BUSHING SNAP THICK PANEL
38	3035359	GREASE TUBE REAR BEARING AUGER
39	3035360	GREASE TUBE FRONT BEARING AUGER
40	4375	CLAMP, HOSE .4375, 9/32 HOLE
41	3007522	SCREW, SHEET MTL #12X1.0 HEX WASHER HD SST
42	3033076	CHUTE ATTACHMENT
43	3012144	BOLT, CARRIAGE, 5/16-18 X 3/4 RD HD SST
44	FNE031018034SS	NUT, NYLOCK, 5/16-18, SST WAX
45	3033165	STUD THREADED 5/16-18 X 2.5 SST
46	3062247	SHROUD PRO, MULTIPLEX
47	3006719	NUT, SERRATED FLANGE, 5/16-18, SST WAX
48	FWF025063007SS	WASHER, FLAT 1/4 SAE SS
49	FCS025020075SS	SCREW, CAP 1/4-20 X 3/4 SST

HOPPER ASSEMBLY

PRO2000M



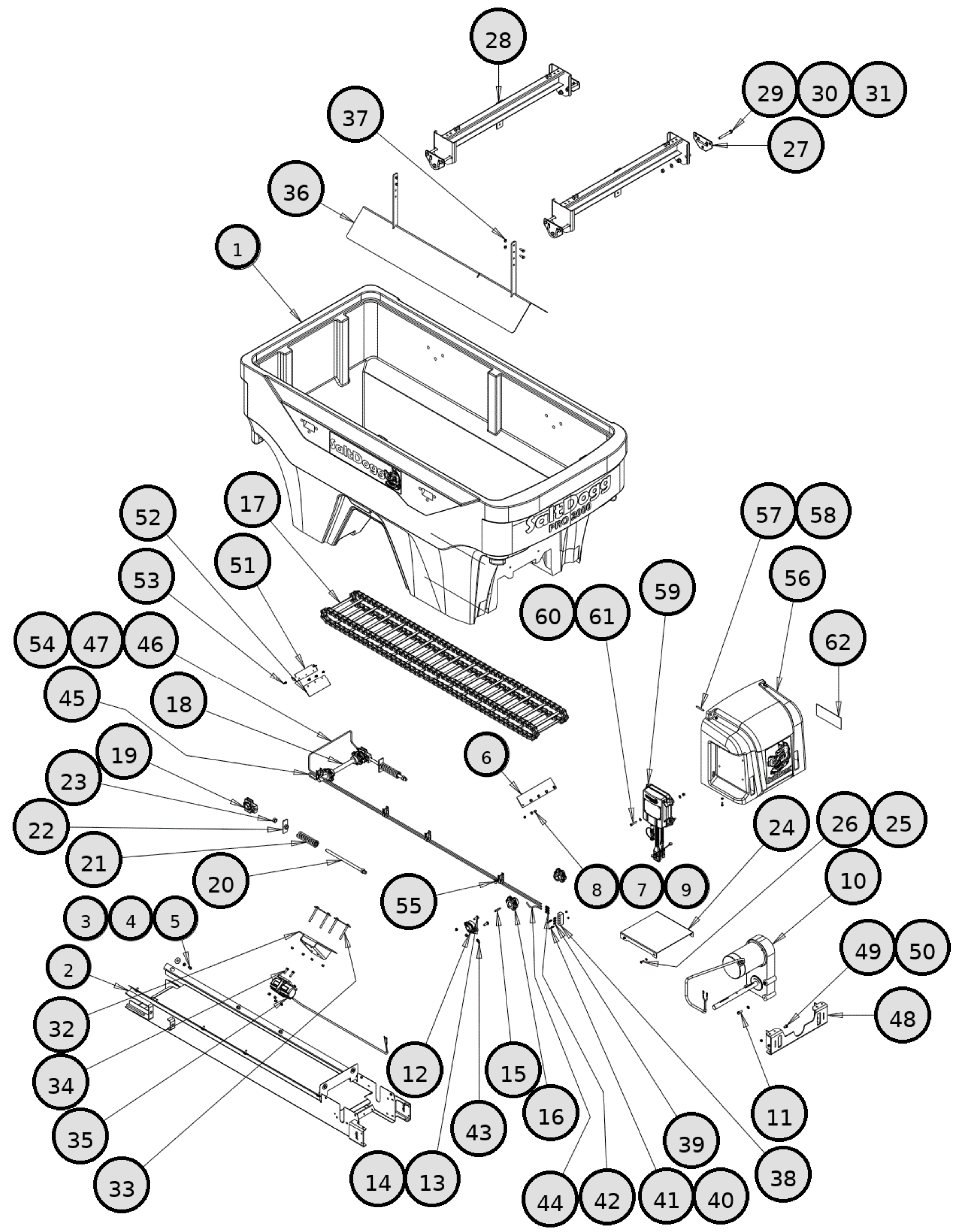
REF	PN	DESCRIPTION
50	3057506	CONTROLLER MULTIPLEX POWER MODULE
51	FWF031075006SS	WASHER, FLAT, 5/16 X .688 X .065, SST
52	FCS031018175SS	SCREW, HHC 5/16-18 X 1 3/4 SS
53	3032591	DECAL, DANGER, MOVING CONVEYOR/ AUGER



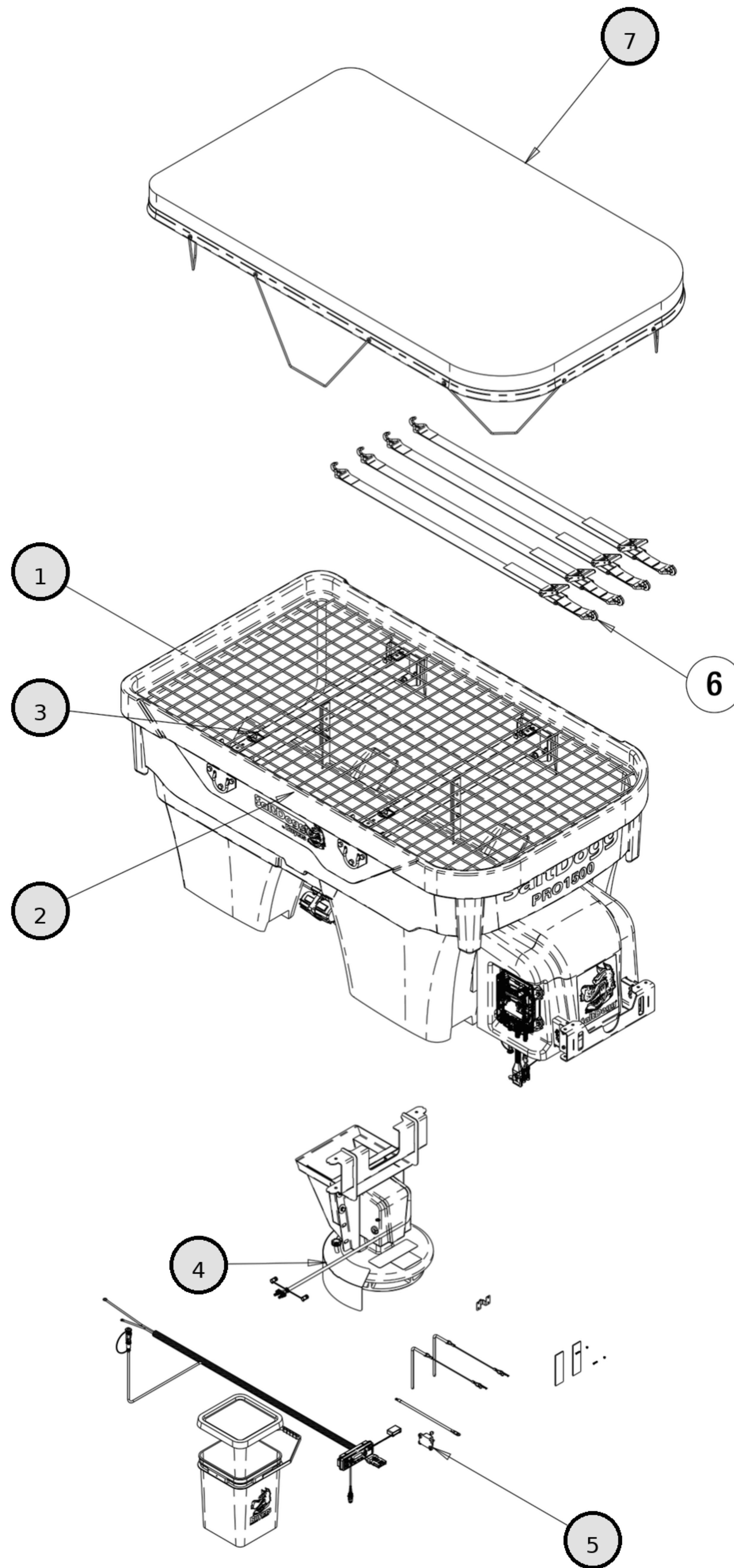
REF	PN	DESCRIPTION
1	3034401	HOPPER PRO2000
2	3034593	TROUGH WELDMENT CHAIN PRO2000
3	3007115	WASHER, FLAT 3/8 X 1.5 X .048 SST
4	FWL038069009SS	WASHER, LOCK RHS-3/8 SST
5	FCS038016075SS	SCREW, HHC-3/8-16 X 3/4 SST
6	1410241	WIPER BELT, HOPPER
7	FWF025063007SS	WASHER, FLAT 1/4 SAE SS
8	3008549	SCREW, HEXHD CAP 1/4-20X.5 SST
9	FNE025020031SS	NUT, NYLOCK, 1/4-20, SST WAX
10	3062245	GEAR MOTOR, CHAIN, 12VDC, RING TERMINALS
11	FCS038016100SS	SCREW, HHC 3/8-16 X 1 304 SST
12	1410200	BEARING, FLANGED 1-1/8"
13	3031483	BOLT, 3/8-16 X 1 CARRIAGE SHORT NECK SST
14	FNE038016044SS	NUT, NYLOCK, 3/8-16, SST WAX
15	KS402	KEY, 1/4 X 1/4 X 2
16	1410250	SPROCKET, 6 TOOTH PINTLE CHAIN
17	1401300	CHAIN, CONVEYOR. D662 93 LINKS
18	3008571	SHAFT IDLER, ASSEMBLY
19	1411001	BEARING, IDLER TAKE UP
20	3023046	BOLT, WELDED TAKE UP
21	3023022	SPRING CHAIN TENSION
22	3031199	TAKE-UP NUT WELDMENT
23	FNH063011054SS	NUT, TOP LOCK, 5/8-11, SST WAX
24	3031195	CHAIN COVER
25	FWL025050006SS	WASHER, 1/4 IN. SPRING LOCK SST
26	FCS025020075SS	SCREW, CAP 1/4-20 X 3/4 SST
27	3022220	TIE-DOWN WELDMENT
28	3035740	CROSS MEMBER
29	FCS050013400Z	SCREW, HEX HEAD CAP 1/2-13 X 4.00 GR 5 ZN
30	FWF050106010	WASHER, FLAT, 1/2 X 1.062 X .095, ZN
31	FNE050013053	NUT, NYLOCK, 1/2-13, GR A, ZN
32	3039179	BRACKET, VIBRATOR
33	3056422	BRACKET VIBRATOR, PRO SST
34	FCS038016125SS	SCREW, HHC-3/8-16 X 1.25 SST
35	3062249	VIBRATOR 200 LBS 12 VDC RING TERMINALS
36	3035267	INVERTED VEE, PRO2000
37	3001255	NUT, SERRATED FLANGE, 3/8-16, SST WAX
38	3035346	RIGHT ANGLE JUNCTION BLOCK
39	800	GREASE FITTING, 1/8IN NPT, STRAIGHT
40	3035358	NUT, NYLOCK, #8-32, SST WAX
41	3035357	SCREW SOCKET HD, RND 8-32X 1.50 SST
42	3035347	GREASE FITTING 1/4TUBE 1/8 MNPT STR
43	3035344	GREASE FITTING 1/4TUBE 1/4-28 MALE STR
44	3035348	GREASE HOSE REAR BEARING
45	3035355	GREASE HOSE FRONT DR SIDE
46	3035356	GREASE HOSE FRONT PS SIDE
47	5000	CLAMP, HOSE .500, 13/32 HOLE
48	3033076	CHUTE ATTACHMENT
49	3012144	BOLT, CARRIAGE, 5/16-18 X 3/4 RD HD SST

HOPPER ASSEMBLY

PRO2000MCH



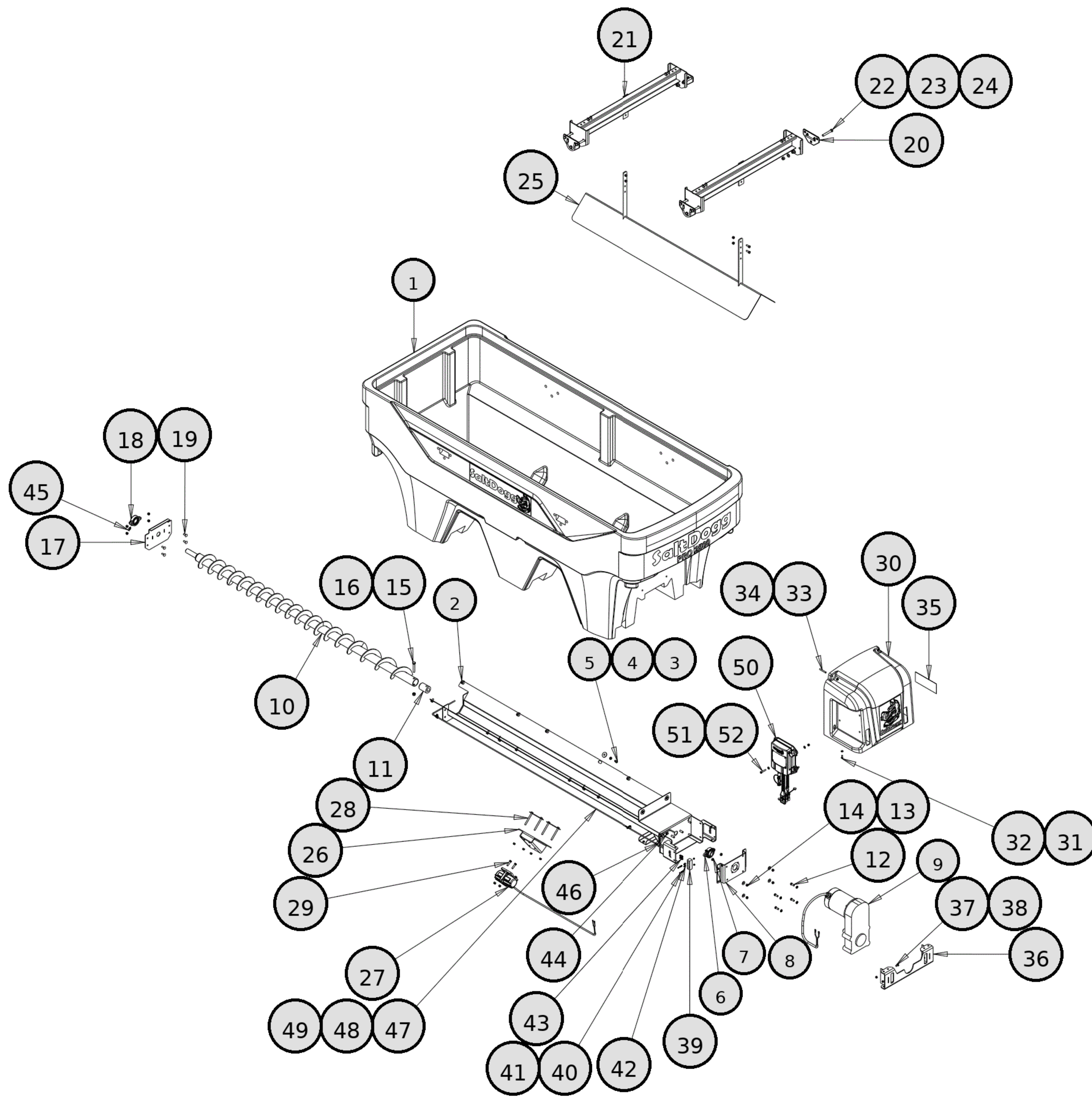
REF	PN	DESCRIPTION
50	FNE031018034SS	NUT, NYLOCK, 5/16-18, SST WAX
51	3033164	WIPER BRACKET
52	3035269	WIPER BELT, FRONT
53	3015873	SCREW #12-14X.74 SS SELF DRIL HEX WASHER HD
54	3007522	SCREW, SHEET MTL #12X1.0 HEX WASHER HD SST
55	4375	CLAMP, HOSE .4375, 9/32 HOLE
56	3062247	SHROUD PRO, MULTIPLEX
57	3033165	STUD THREADED 5/16-18 X 2.5 SST
58	3006719	NUT, SERRATED FLANGE, 5/16-18, SST WAX
59	3057506	CONTROLLER MULTIPLEX POWER MODULE
60	FWF031075006SS	WASHER, FLAT, 5/16 X .688 X .065, SST
61	FCS031018175SS	SCREW, HHC 5/16-18 X 1 3/4 SS
62	3032591	DECAL, DANGER, MOVING CONVEYOR/ AUGER



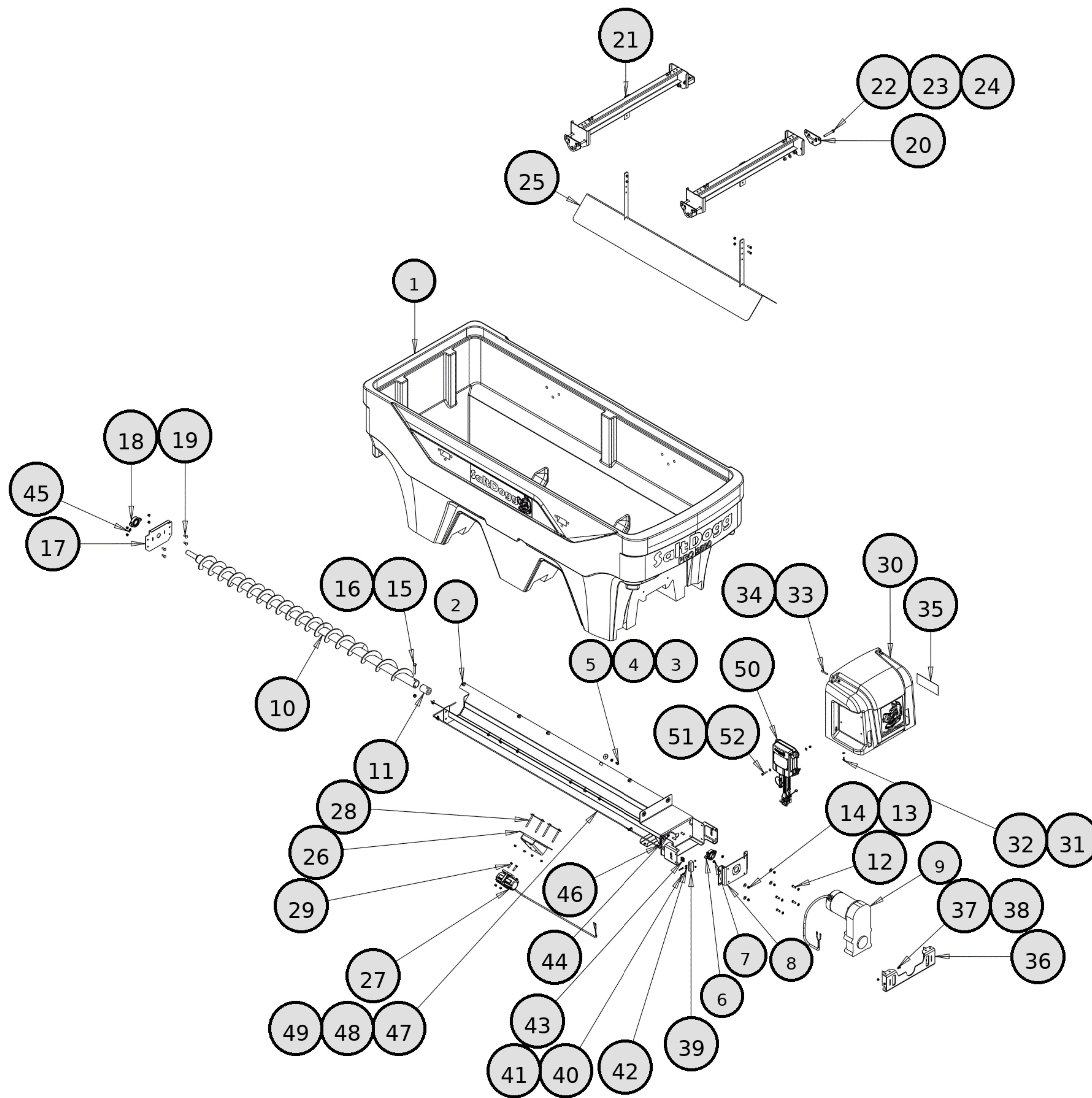
REF	PN	DESCRIPTION
1	3041211	SCREEN, MESH, 42.5X77.3,PRO1500/SHPE1500
2	3041211	SCREEN, MESH, 43.5X105.3,PRO2000/SHPE2000
2	3062243	HOPPER ASSEMBLY PRO2000MCH
2	3062244	HOPPER ASSEMBLY PRO2000M
2	3062251	HOPPER ASSEMBLY PRO1500M
2	3062252	HOPPER ASSEMBLY PRO1500MCH
3	66050	SNAPPER PIN, 1/4 X 1-3/4, YLW ZINC
4	3031475	CHUTE SWING ADJ
5	3062250	CONTROLLER KIT PRO, MULTIPLEX
6	1496505	HOLD DOWN KIT, SPREADER (4 STRAPS)
7	3035377	TARP PRO2000/SHPE2000
7	3043774	TARP PRO1500/SHPE1500

MAIN ASSEMBLY

PRO2000MCH / PRO2000M / PRO1500MCH / PRO1500M



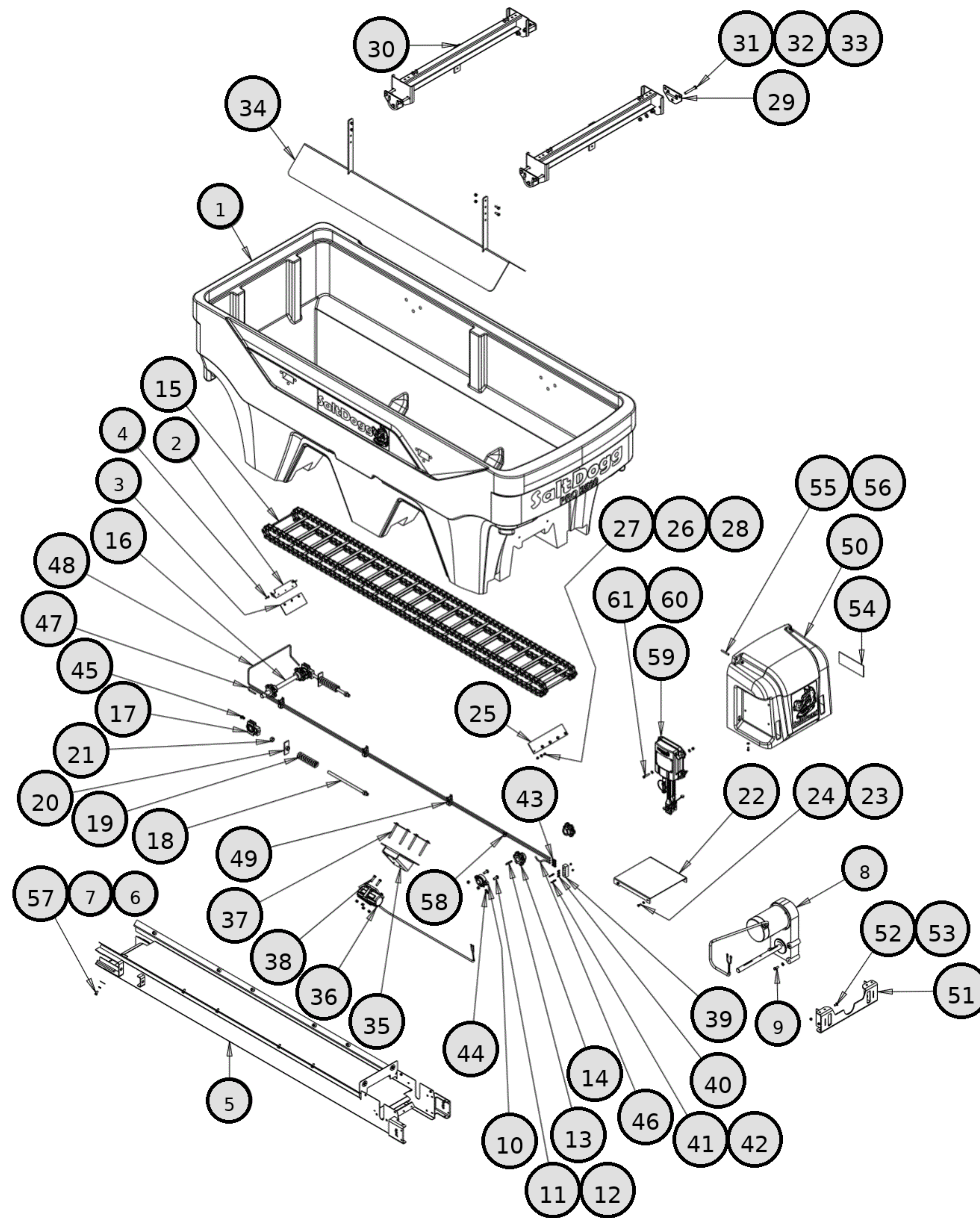
REF	PN	DESCRIPTION
1	3030763	HOPPER PRO2500
2	3032999	TROUGH WELDMENT PRO2500
3	3007115	WASHER, FLAT 3/8 X 1.5 X.048 SST
4	FWL038069009SS	WASHER, LOCK RHS-3/8 SST
5	FCS038016075SS	SCREW, HHC-3/8-16 X 3/4 SST
6	1410200	BEARING, FLANGED 1-1/8"
7	3014756	NUT, NYLOCK, 7/16-14, SST WAX
8	3033003	SPACER, GEAR MOTOR
9	3062248	GEAR MOTOR .75HP 12 VDC RING TERMINALS
10	3033660	AUGER PRO2500 5.25 VARIABLE LH
11	3033663	SLEEVE, AUGER ADAPTER
12	FCS038016100SS	SCREW, HHC 3/8-16 X 1 304 SST
13	FWF038100007SS	WASHER, FLAT 3/8 USS SST
14	FNE038016044SS	NUT, NYLOCK, 3/8-16, SST WAX
15	3001250	SCREW, HHC-1/2-13 X 3 SST
16	FNE050013053SSC	NUT, NYLOCK 1/2-13, SST WAX
17	3033070	BRACKET BEARING FRONT
18	9240086	BEARING, 1-1/4 FLANGE 2 HOLE
19	FCB037516100SS	BOLT, 3/8-16 X 1 CARRIAGE SST
20	3022220	TIE-DOWN WELDMENT
21	3030854	CROSS MEMBER
22	3005140	SCREW, HH1/2-13 X 3.5, GR 5 ZN
23	FWF050106010	WASHER, FLAT, 1/2 X 1.062 X .095, ZN
24	FNE050013053	NUT, NYLOCK, 1/2-13, GR A, ZN
25	3030863	INVERTED VEE, PRO2500
26	3039179	BRACKET, VIBRATOR
27	3062249	VIBRATOR 200 LBS 12 VDC RING TERMINALS
28	3056422	BRACKET VIBRATOR, PRO SST
29	FCS038016150SS	SCREW, HX HD CAP 3/8-16 X 1-1/2 SST
30	3062247	SHROUD PRO, MULTIPLEX
31	FWF025063007SS	WASHER, FLAT 1/4 SAE SS
32	FCS025020075SS	SCREW, CAP 1/4-20 X 3/4 SST
33	3033165	STUD THREADED 5/16-18 X 2.5 SST
34	3006719	NUT, SERRATED FLANGE, 5/16-18, SST WAX
35	3032591	DECAL, DANGER, MOVING CONVEYOR/ AUGER
36	3033076	CHUTE ATTACHMENT
37	3012144	BOLT, CARRIAGE, 5/16-18 X 3/4 RD HD SST
38	FNE031018034SS	NUT, NYLOCK, 5/16-18, SST WAX
39	3035346	RIGHT ANGLE JUNCTION BLOCK
40	3035357	SCREW SOCKET HD, RND 8-32X 1.50 SST
41	3035358	NUT, NYLOCK, #8-32, SST WAX
42	800	GREASE FITTING, 1/8IN NPT, STRAIGHT
43	3035347	GREASE FITTING 1/4TUBE 1/8 MNPT STR
44	3035742	BUSHING SNAP THICK PANEL
45	3035344	GREASE FITTING 1/4TUBE 1/4-28 MALE STR
46	3035359	GREASE TUBE REAR BEARING AUGER
47	3036016	GREASE TUBE FRONT BEARING AUGER
48	4375	CLAMP, HOSE .4375, 9/32 HOLE
49	3007522	SCREW, SHEET MTL #12X1.0 HEX WASHER HD SST



REF	PN	DESCRIPTION
50	3057506	CONTROLLER MULTIPLEX POWER MODULE
51	FWF031075006SS	WASHER, FLAT, 5/16 X .688 X .065, SST
52	FCS031018175SS	SCREW, HHC 5/16-18 X 1 3/4 SS

HOPPER ASSEMBLY

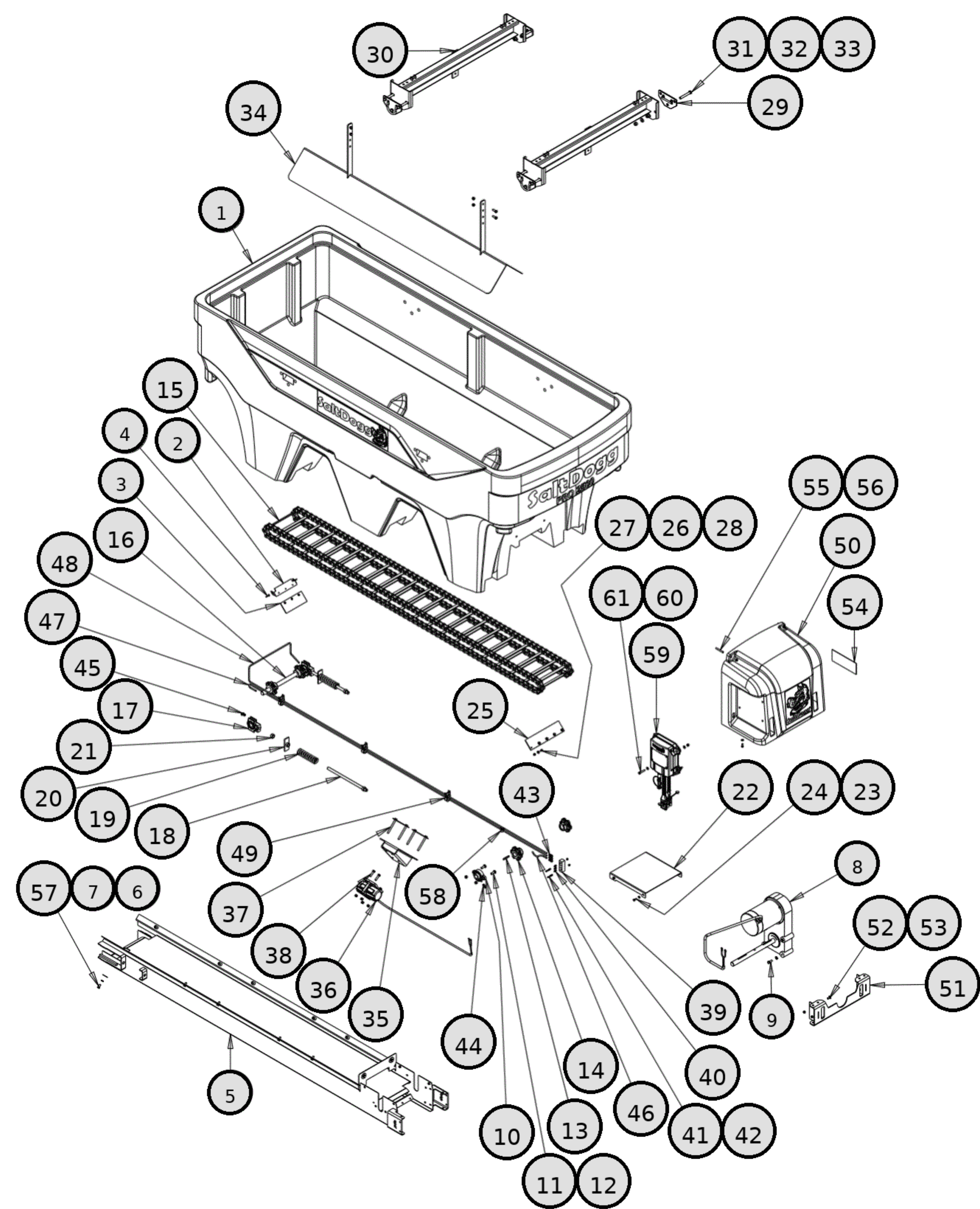
PRO2500M



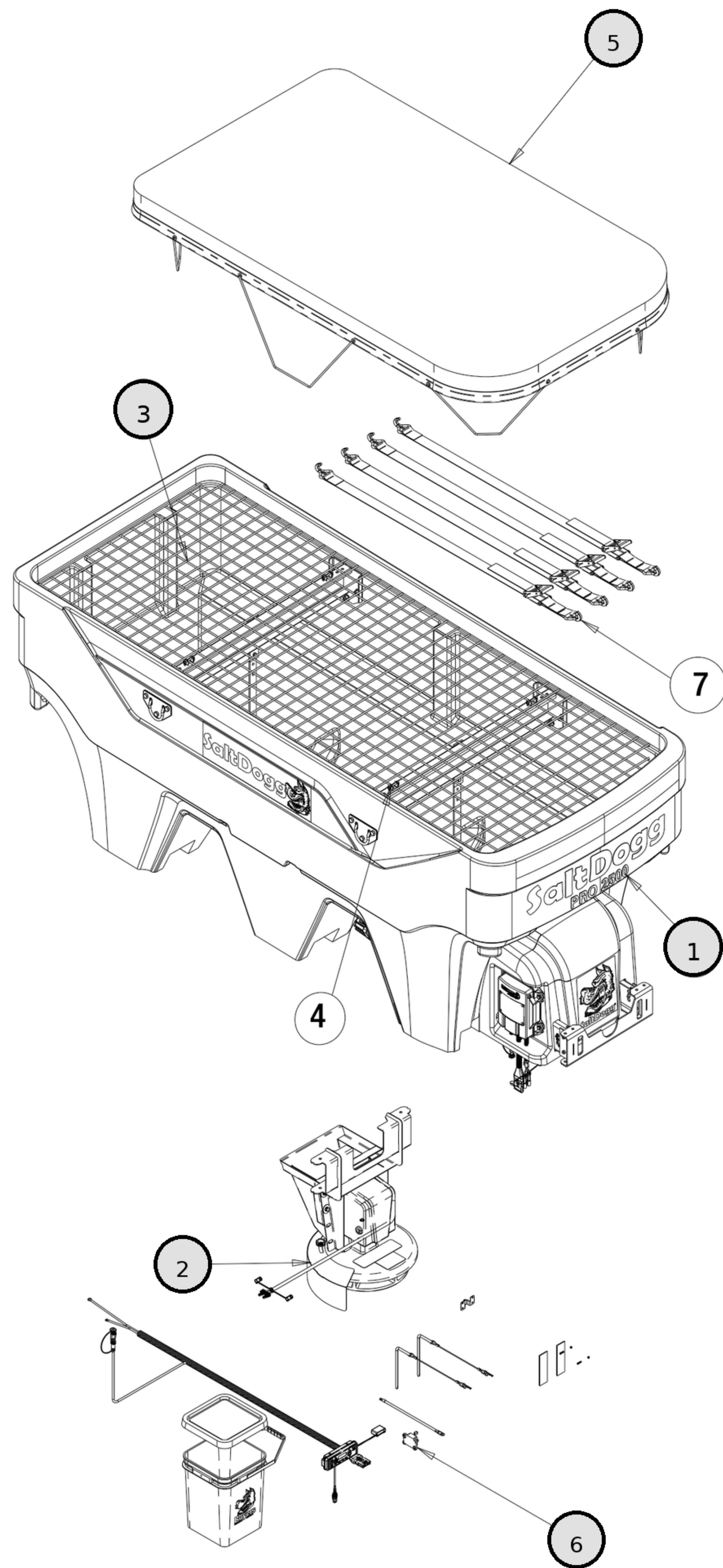
REF	PN	DESCRIPTION
1	3030763	HOPPER PRO2500
2	3033164	WIPER BRACKET
3	3035269	WIPER BELT, FRONT
4	3007522	SCREW, SHEET MTL #12X1.0 HEX WASHER HD SST
5	3027772	TROUGH CHAIN SHPE2500
6	3007115	WASHER, FLAT 3/8 X 1.5 X.048 SST
7	FWL038069009SS	WASHER, LOCK RHS-3/8 SST
8	3062245	GEAR MOTOR, CHAIN,12VDC, RING TERMINALS
9	FCS038016100SS	SCREW, HHC 3/8-16 X 1 304 SST
10	1410200	BEARING, FLANGED 1-1/8"
11	3031483	BOLT, 3/8-16 X 1 CARRIAGE SHORT NECK SST
12	FNE038016044SS	NUT, NYLOCK, 3/8-16, SST WAX
13	KS402	KEY, 1/4 X 1/4 X 2
14	1410250	SPROCKET, 6 TOOTH PINTLE CHAIN
15	1401100P	CHAIN ASSY D662 122 LINKS
16	3008571	SHAFT IDLER, ASSEMBLY
17	1411001	BEARING, IDLER TAKE UP
18	3023046	BOLT, WELDED TAKE UP
19	3023022	SPRING CHAIN TENSION
20	3031199	TAKE-UP NUT WELDMENT
21	FNH063011054SS	NUT, TOP LOCK, 5/8-11, SST WAX
22	3031195	CHAIN COVER
23	FWL025050006SS	WASHER, 1/4 IN. SPRING LOCK SST
24	FCS025020075SS	SCREW, CAP 1/4-20 X 3/4 SST
25	1410241	WIPER BELT, HOPPER
26	FWF025063007SS	WASHER, FLAT 1/4 SAE SS
27	3008549	SCREW,HEXHD CAP 1/4-20X.5 SST
28	FNE025020031SS	NUT, NYLOCK, 1/4-20, SST WAX
29	3022220	TIE-DOWN WELDMENT
30	3030854	CROSS MEMBER
31	3005140	SCREW, HH1/2-13 X 3.5, GR 5 ZN
32	FWF050106010	WASHER, FLAT, 1/2 X 1.062 X .095, ZN
33	FNE050013053	NUT, NYLOCK, 1/2-13, GR A, ZN
34	3030863	INVERTED VEE, PRO2500
35	3039179	BRACKET, VIBRATOR
36	3062249	VIBRATOR 200 LBS 12 VDC RING TERMINALS
37	3056422	BRACKET VIBRATOR, PRO SST
38	FCS038016150SS	SCREW, HX HD CAP 3/8-16 X 1-1/2 SST
39	3035346	RIGHT ANGLE JUNCTION BLOCK
40	800	GREASE FITTING, 1/8IN NPT, STRAIGHT
41	3035357	SCREW SOCKET HD, RND 8-32X 1.50 SST
42	3035358	NUT, NYLOCK, #8-32, SST WAX
43	3035347	GREASE FITTING 1/4TUBE 1/8 MNPT STR
44	3035344	GREASE FITTING 1/4TUBE 1/4-28 MALE STR
45	3035345	GREASE FITTING 1/4TUBE 1/4-28 MALE 90DEG
46	3035348	GREASE HOSE REAR BEARING
47	3036051	GREASE HOSE FRONT DR SIDE
48	3036052	GREASE HOSE FRONT PS SIDE
49	5000	CLAMP,HOSE .500, 13/32 HOLE

HOPPER ASSEMBLY

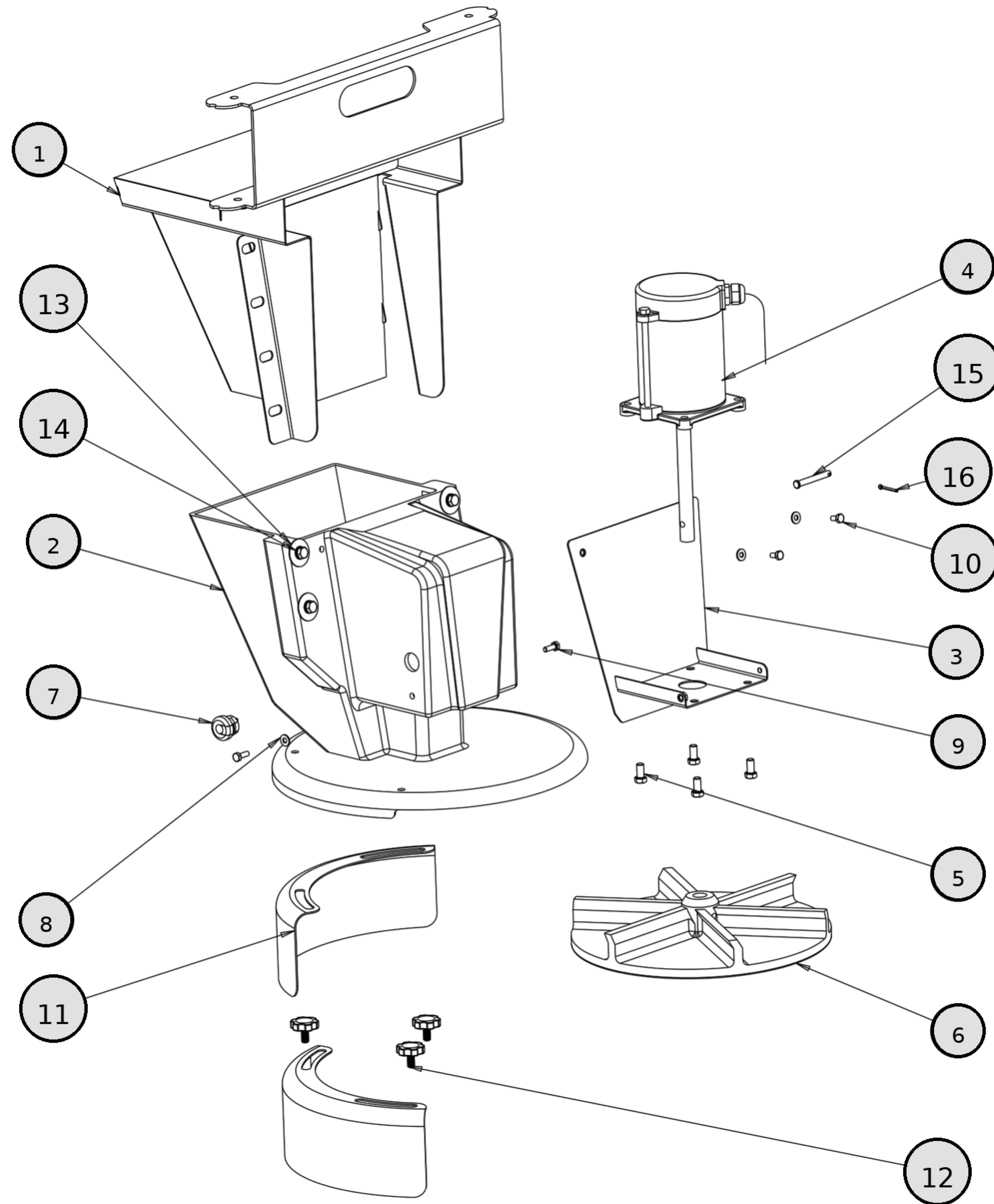
PRO2500MCH



REF	PN	DESCRIPTION
50	3062247	SHROUD PRO, MULTIPLEX
51	3033076	CHUTE ATTACHMENT
52	3012144	BOLT,CARRIAGE, 5/16-18 X 3/4 RD HD SST
53	FNE031018034SS	NUT, NYLOCK, 5/16-18, SST WAX
54	3032591	DECAL, DANGER, MOVING CONVEYOR/ AUGER
55	3033165	STUD THREADED 5/16-18 X 2.5 SST
56	3006719	NUT, SERRATED FLANGE, 5/16-18, SST WAX
57	FCS038016075SS	SCREW, HHC-3/8-16 X 3/4 SST
58	4375	CLAMP, HOSE .4375, 9/32 HOLE
59	3057506	CONTROLLER MULTIPLEX POWER MODULE
60	FWF031075006SS	WASHER, FLAT, 5/16 X .688 X .065, SST
61	FCS031018175SS	SCREW, HHC 5/16-18 X 1 3/4 SS



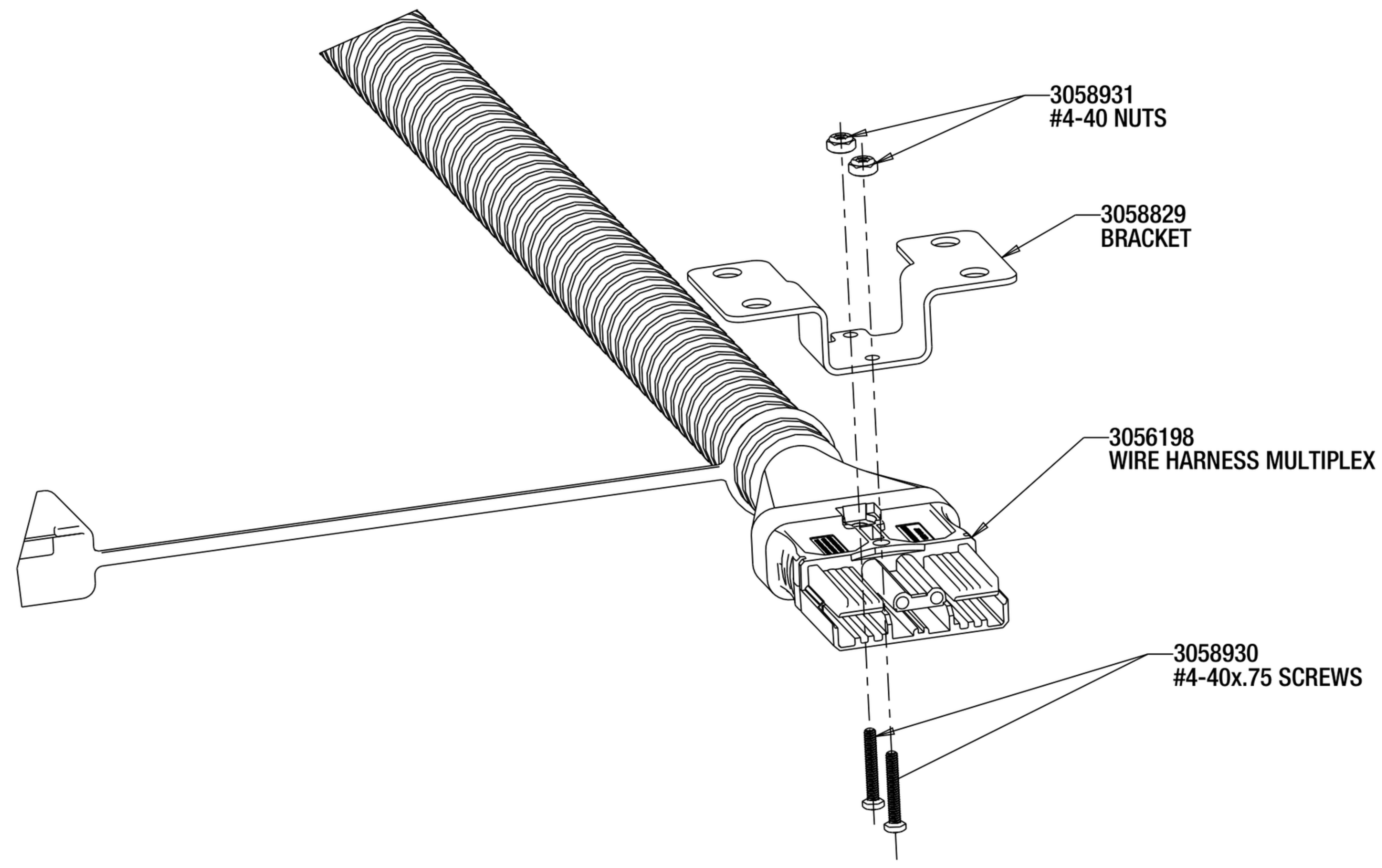
REF	PN	DESCRIPTION
1	3062253	HOPPER ASSEMBLY PRO2500M
1	3062254	HOPPER ASSEMBLY PRO2000MCH
2	3031475	CHUTE SWING ADJ
3	3030853	SCREEN, MESH, 43.5X108.1, .25IN WIRE
4	66050	SNAPPER PIN, 1/4 X 1-3/4, YLW ZINC
5	3030857	TARP PRO2500
6	3062250	CONTROLLER KIT PRO, MULTIPLEX
7	1496505	HOLD DOWN KIT, SPREADER (4 STRAPS)



REF	PN	DESCRIPTION
1	3030868	UPPER CHUTE WELDMENT
2	3030930	CHUTE OUTER, POLY
3	3030908	MOTOR MOUNT CHUTE
4	3030907	MOTOR 12 VDC, .5 HP SPINNER
5	FCS038016075SS	SCREW, HHC-3/8-16 X 3/4 SST
6	3012393	SPINNER, 14" POLY CW
7	3025065	BUSHING STRAIN RELIEF
8	FWF025063007SS	WASHER, FLAT 1/4 SAE SS
9	FCS025020075SS	SCREW, CAP 1/4-20 X 3/4 SST
10	3008549	SCREW, HEXHD CAP 1/4-20X.5 SST
11	3030927	SHIELD, CHUTE
12	3031755	PLASTIC HEAD THUMB SCREW 3/8-16X3/4 SST
13	3007115	WASHER, FLAT 3/8 X 1.5 X.048 SST
14	FWL038069009SS	WASHER, LOCK RHS-3/8 SST
15	3007113	PIN, CLEVIS, 5/16 X 2-1/2, .141 HOLE ZN
16	3014994	PIN, COTTER, 1/8IN X 1IN SST

CHUTE ASSEMBLY

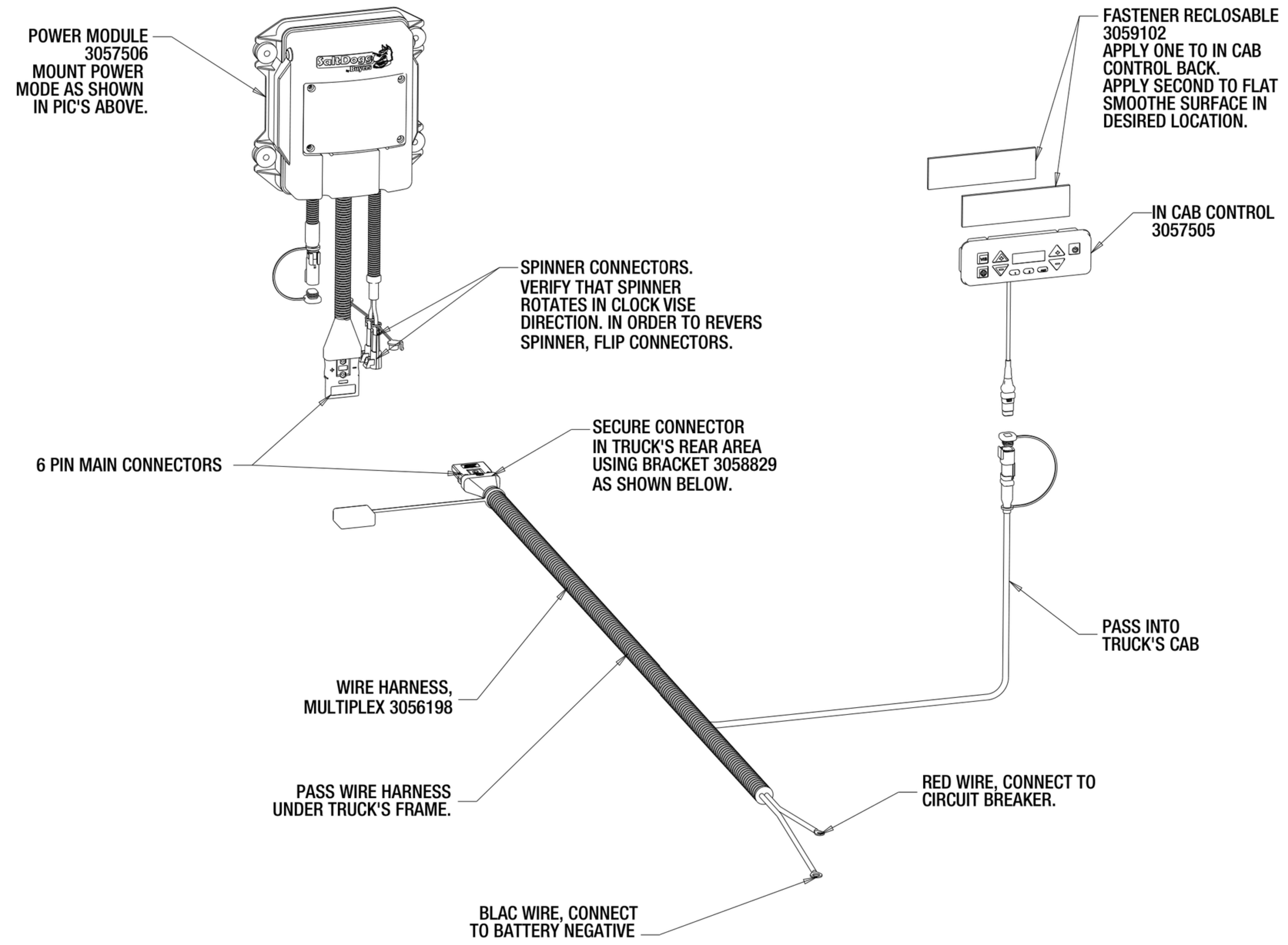
PRO2500MCH / PRO2500M / PRO2000MCH / PRO2000M / PRO1500MCH / PRO1500M



REF	PN	DESCRIPTION
-	3056198	HARNESS, MULTIPLEX
-	3058829	BRACKET
-	3058930	SCREW, #4-40 X .75
-	3058931	NUT, #4-40

HARNESS BRACKET

PRO2500MCH / PRO2500M / PRO2000MCH / PRO2000M / PRO1500MCH / PRO1500M



REF	PN	DESCRIPTION
-	3056198	HARNESS, MULTIPLEX PRO-M
-	3057505	CONTROLLER, PRO-M
-	3057506	POWER MODULE, PRO-M
-	3058829	MOUNTING BRACKET
-	3059102	MOUNTING PAD, HOOK AND LOOP

MULTIPLEX HARNESS

PRO2500MCH / PRO2500M / PRO2000MCH / PRO2000M / PRO1500MCH / PRO1500M